

RECOVERY SYSTEM FOR ZENITH CH601XL ZODIAC

A. TYPE OF RECOVERY SYSTEM

System: Galaxy GRS6-600, Type Soft-B2

Pack Dimensions: 490x250x190mm, weight=12,3kg (including drawing rocket)

Specifications: MTOW=600kg / vne=160kts / ROD=1350fpm / dynamic shock=4,5g

Contact: www.galaxysky.cz

B. DRAWING LIST (REVISION)

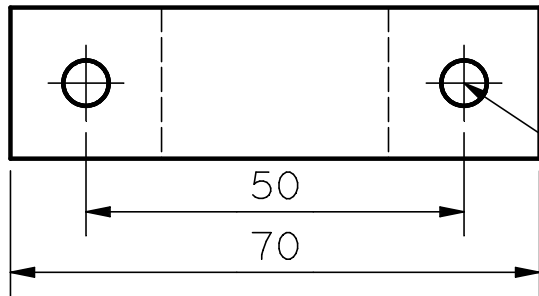
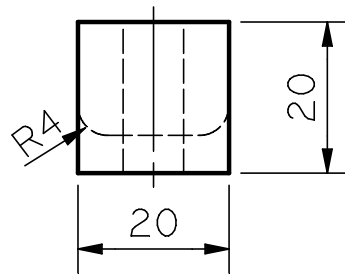
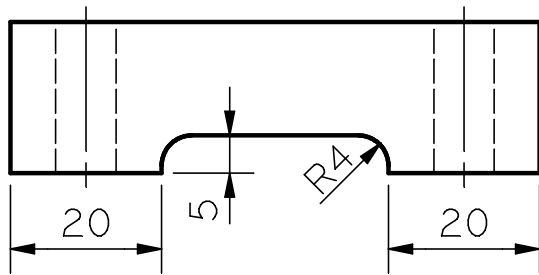
- 6-R-0 .. Type of Recovery System / Drawing List
- 6-R-1 .. Attachment Brackets
- 6-R-2 .. FWD Attachment
- 6-R-3 .. Rear Attachment Brackets
- 6-R-4 .. Rear Attachment
- 6-R-9 .. Parts List

Martin Pohl
CH601XL

RECOVERY PARACHUTE
GALAXY GRS6-600-B2

6-R-0

REV.
22.01.2009



R 6.4 (AN4)

1

KEVLAR BELT ATTACHMENT BRACKET

Aluminium 6061-T6 (20x20x70, 6 required)

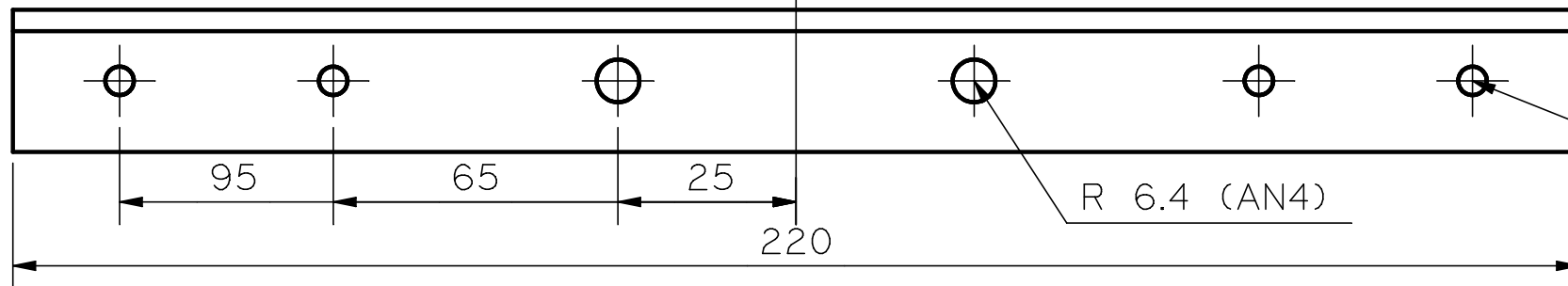
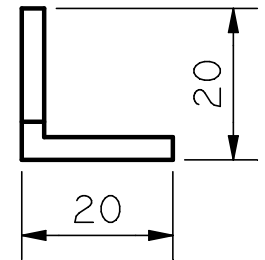
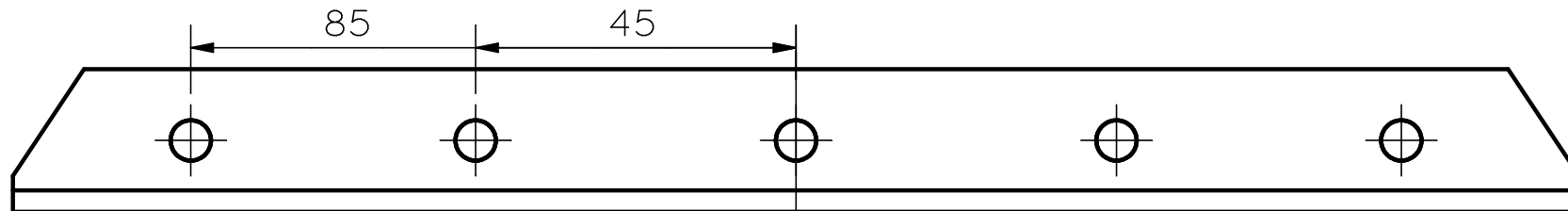
Attach witch: 2x AN4-14A Bolt + 4x AN960-416 Washer + 2x AN365-428 SL Nut

2

ATTACHMENT REINFORCEMENT RAIL

Aluminium 2024-T3 (20x20x3, 6 required)

5x AN3-3A Bolt + 5x AN960-10 Washer + 5x AN365-1032A Stop Nut



R 6.4 (AN4)

R 4.2 (A5)

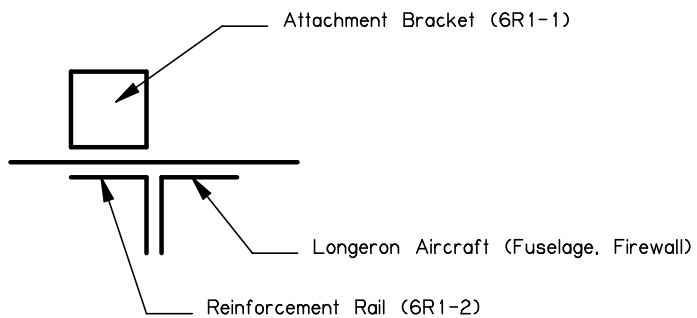
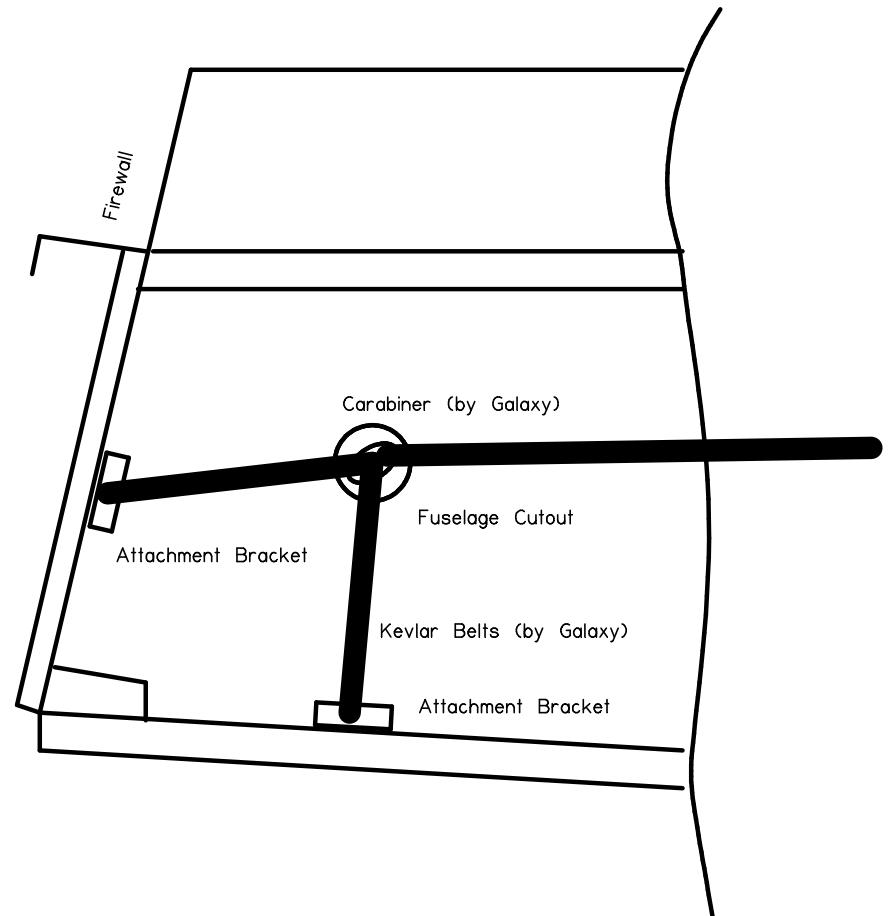
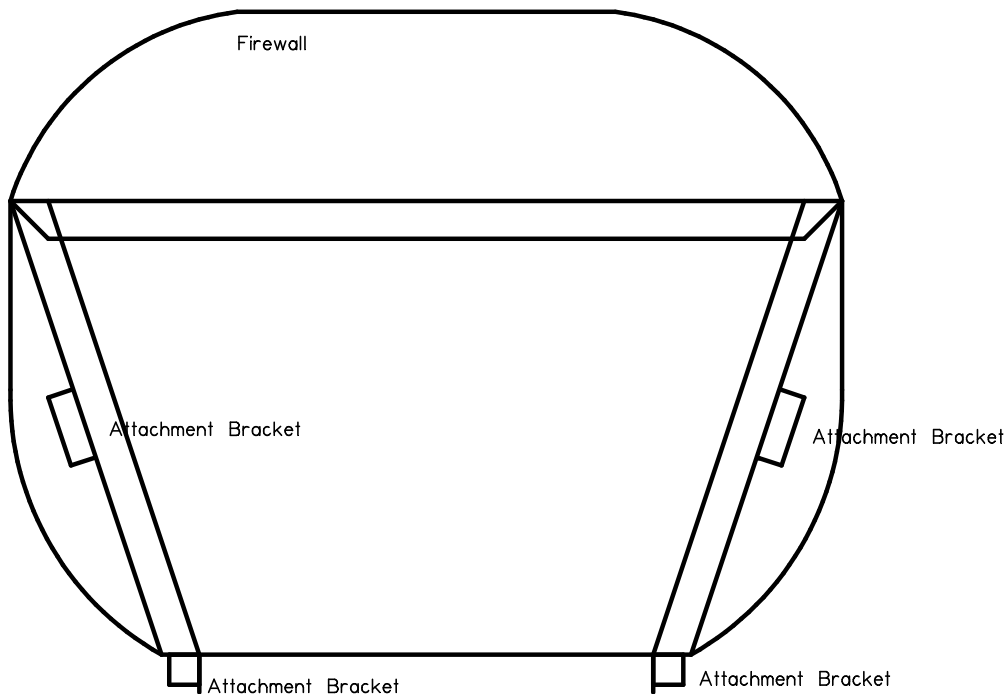
Position A5-Rivets as required

Martin Pohl
CH60 1XL

RECOVERY PARACHUTE
GALAXY GRS6-600-B2
ATTACHMENT BRACKETS

6-R-1

REV.
22.01.2009



Reinforcement Rail (6R1-2) is attached to aircraft structure longeron by bolts and/or rivets.
Attachment Bracket (6R1-1) is attached to either Reinforcement Rail (6R1-2) or longeron by bolts.

Martin Pohl
CH60 1XL

RECOVERY PARACHUTE
GALAXY GRS6-600-B2
FWD ATTACHMENT

6-R-2

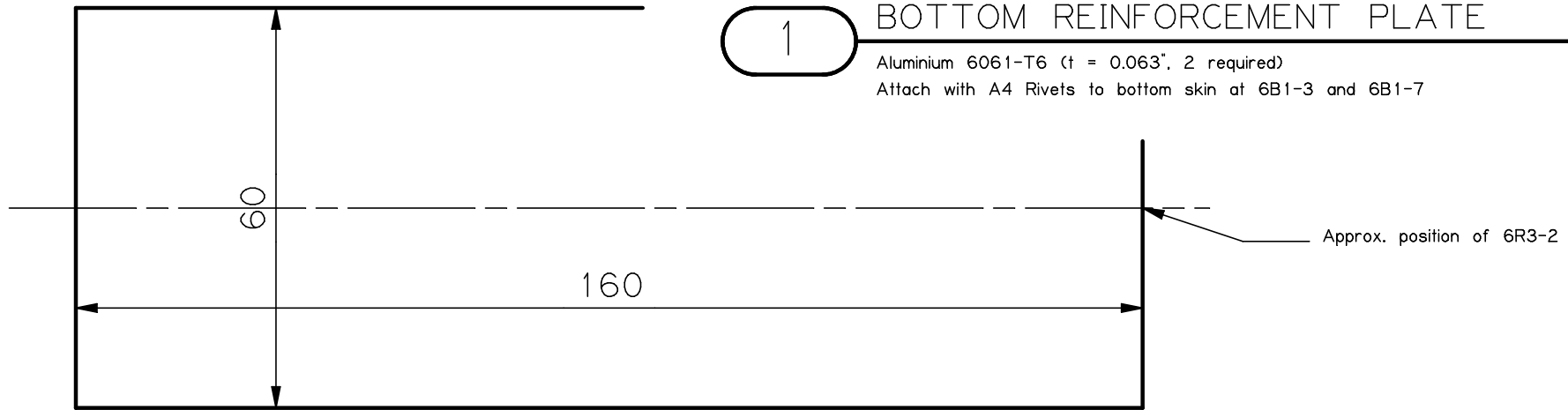
REV.
21.07.2008

1

BOTTOM REINFORCEMENT PLATE

Aluminium 6061-T6 (t = 0.063", 2 required)

Attach with A4 Rivets to bottom skin at 6B1-3 and 6B1-7

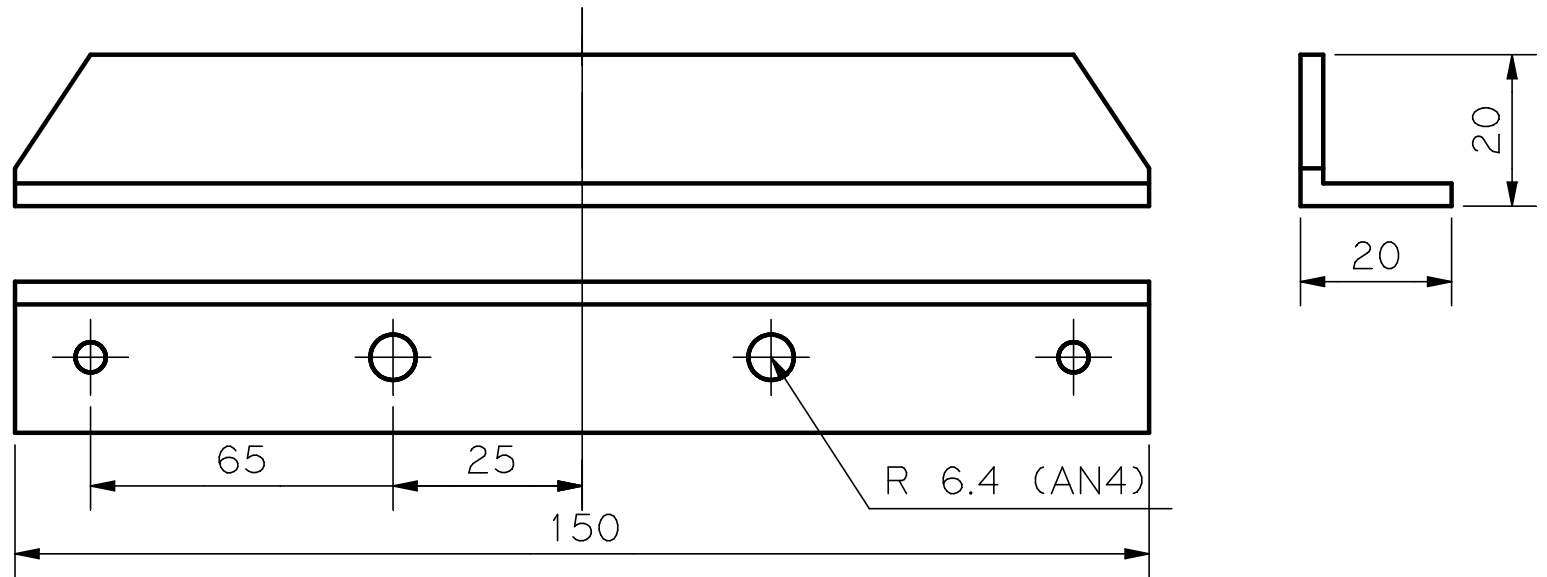


2

ATTACHMENT REINFORCEMENT RAIL

Aluminium 2024-T3 (20x20x3, 2 required / mirrored)

2x AN4-10A Bolt + 4x AN960-416 Washer + 2x AN365-424A Stop Nut

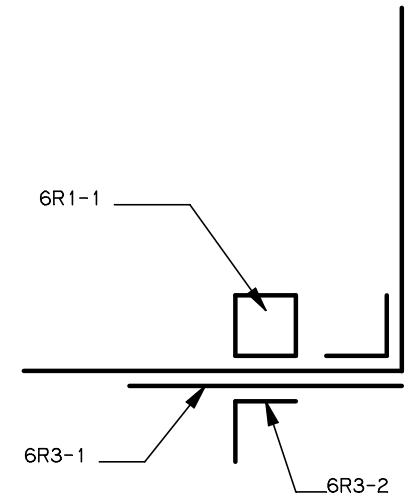
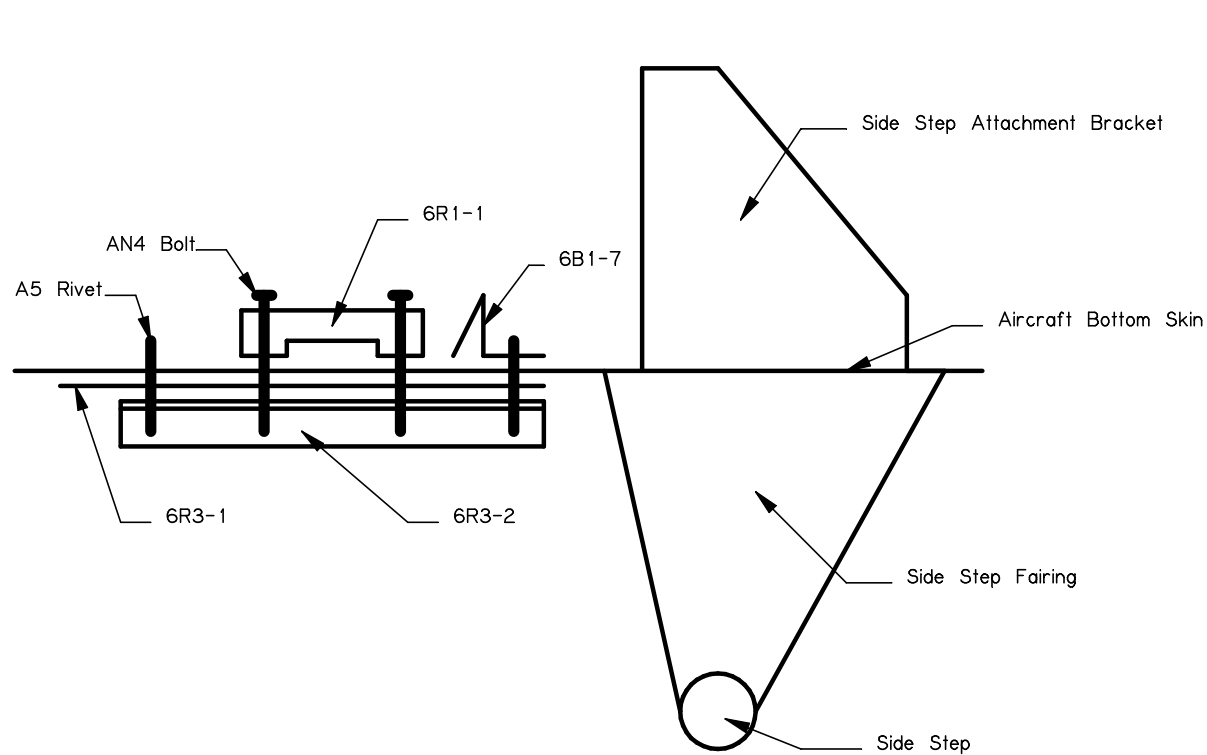


Martin Pohl
CH60 1XL

RECOVERY PARACHUTE
GALAXY GRS6-600-B2
REAR ATTACHMENT

6-R-3

REV.
25.09.2008



Martin Pohl
CH60 1XL

RECOVERY PARACHUTE
GALAXY GRS6-600-B2
REAR ATTACHMENT

6-R-4

REV.
22.01.2009

PARTS LIST GALAXY GRS6-600

ITEM NO TYPE+SPECIFICATIONS

- 1 1x Galaxy GRS6-600 Recovery System, Type Soft-B2, length activation handle L=300cm
- 2 4x FWD Attachment Kevlar Slings, length each L=25cm
- 3 2x FWD Attachment Karabiner
- 4 4x Main Attachment Kevlar Slings, length each L=300cm
- 5 1x Main Attachment Karabiner

X All other parts (nuts, bolts, washers, alu/steel-profile, etc.) by Aircraft Spruce

12x AN4-14A Bolt
24x AN960-416 Washer
12x AN365-428A Stop Nut

20x AN3-4A Bolt
20x AN960-10 Washer
20x AN365-1032A Stop Nut

2x 2ft. 2024T3 L-Profile (1"x1"x1/8")
1x 6061T6 t=0.016" Aluminium Sheet for side fairings
1x 6061T6 t=0.063" Aluminium Sheet for fuselage reinforcements

1x ABS Cover (t=0.063")

Martin Pohl
CH60 1XL

RECOVERY PARACHUTE
GALAXY GRS6-600-B2
PARTS LIST GRS6-600

6-R-9

REV.
24.02.2009