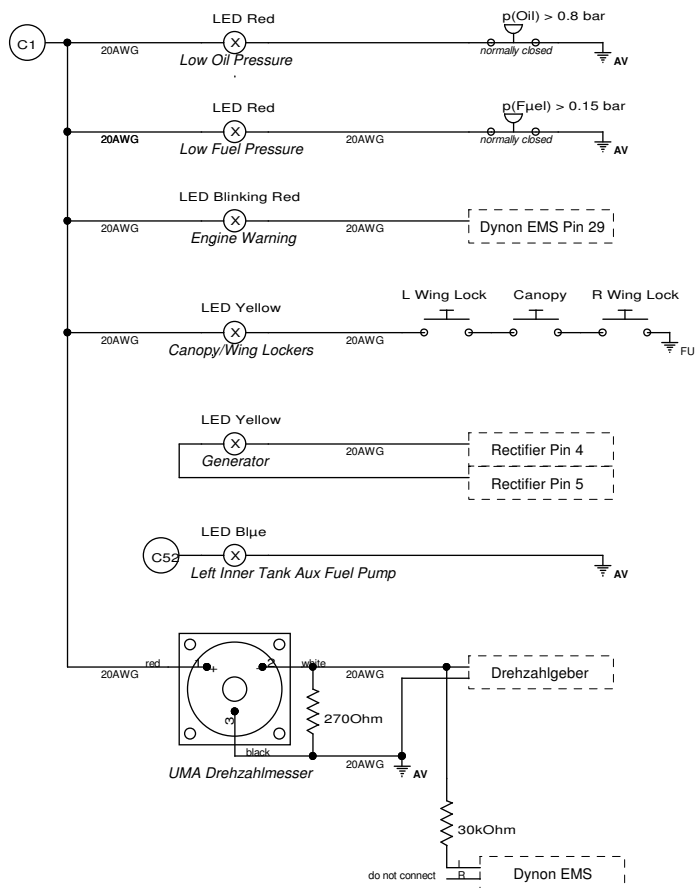
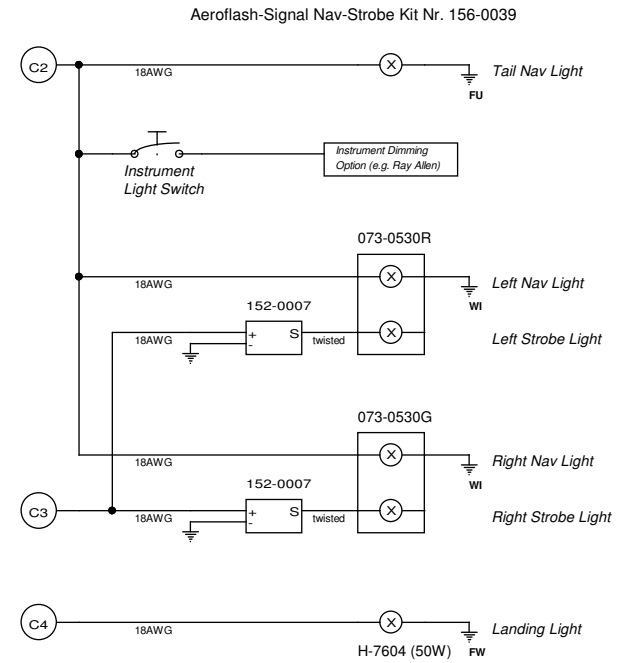


## A. WARNING LIGHTS / TACHOMETER



## B. EXTERNAL LIGHTING



PCB123

(c) 2006 by Master Solutions GmbH  
 Martin Pohl, www.pohltec.ch/ZodiacXL

Title: 1. LED - RPM - LIGHTS.EPC

Size B Document Number DETAILS-1

Rev A

Date: Sat, September 06, 2008