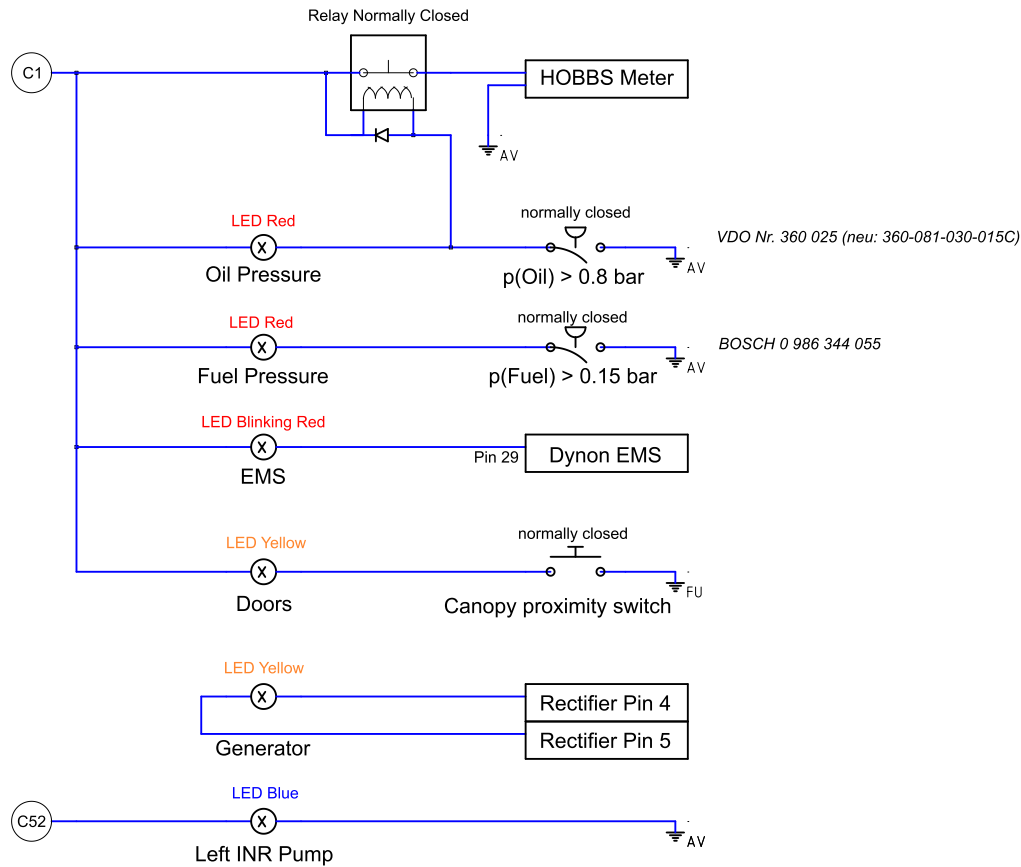


### A. WARNING LIGHTS / HOBBSMETER



### B. EXTERNAL LIGHTING

